

TABLE OF CONTENTS

MAIN.....	1
FREQ_SYNTH.....	2
MODULATOR.....	3
LAYOUT.....	4
POWER.....	5
TX_POWER.....	6
uCONTROLLER.....	7

Mobile Satellite Services

Christian K. Föhr
 18221A Flower Hill Way
 Gaithersburg, MD 20879
 USA

Title

COM-4001 950MHz & 2.4GHz TX / ROOT

Size
A

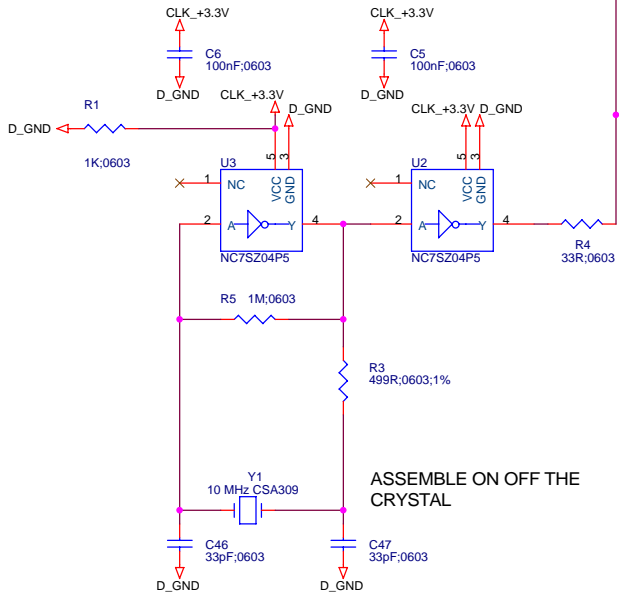
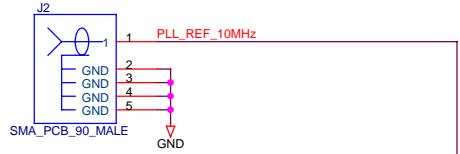
Document Number
Y02004

Rev
3.1

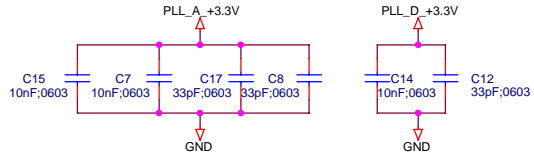
Date: Monday, January 22, 2007

Sheet 1 of 7

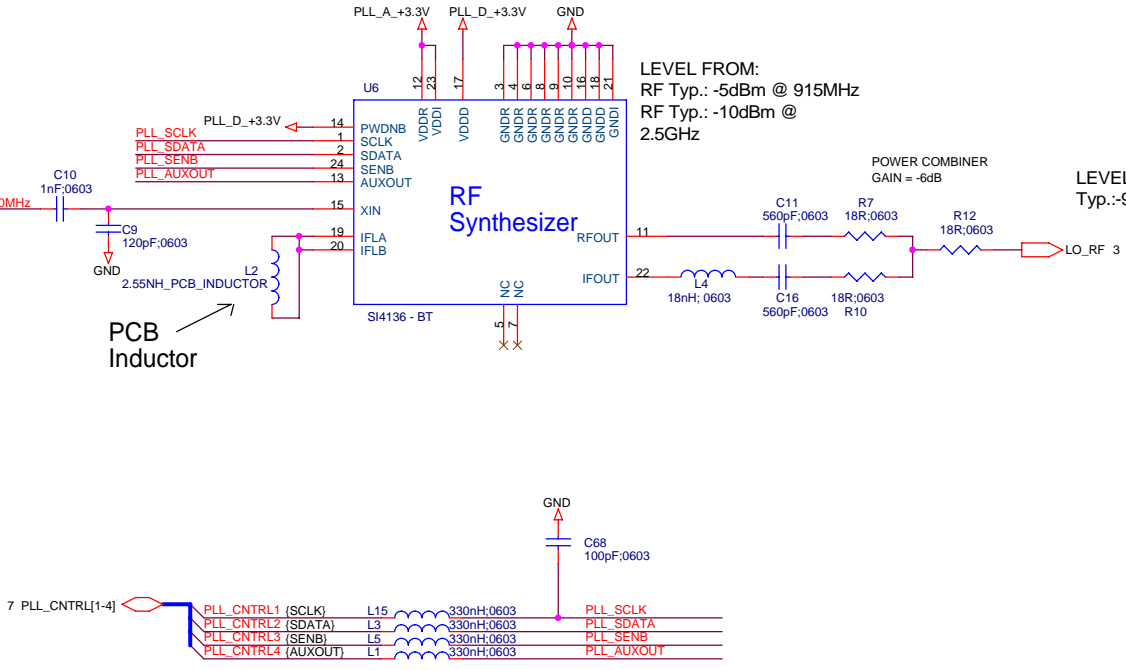
**EXTERNAL
FREQUENCY
REFERENCE**



ASSEMBLE ON OFF THE
CRYSTAL

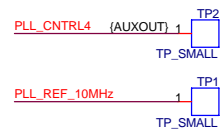


PCB
Inductor

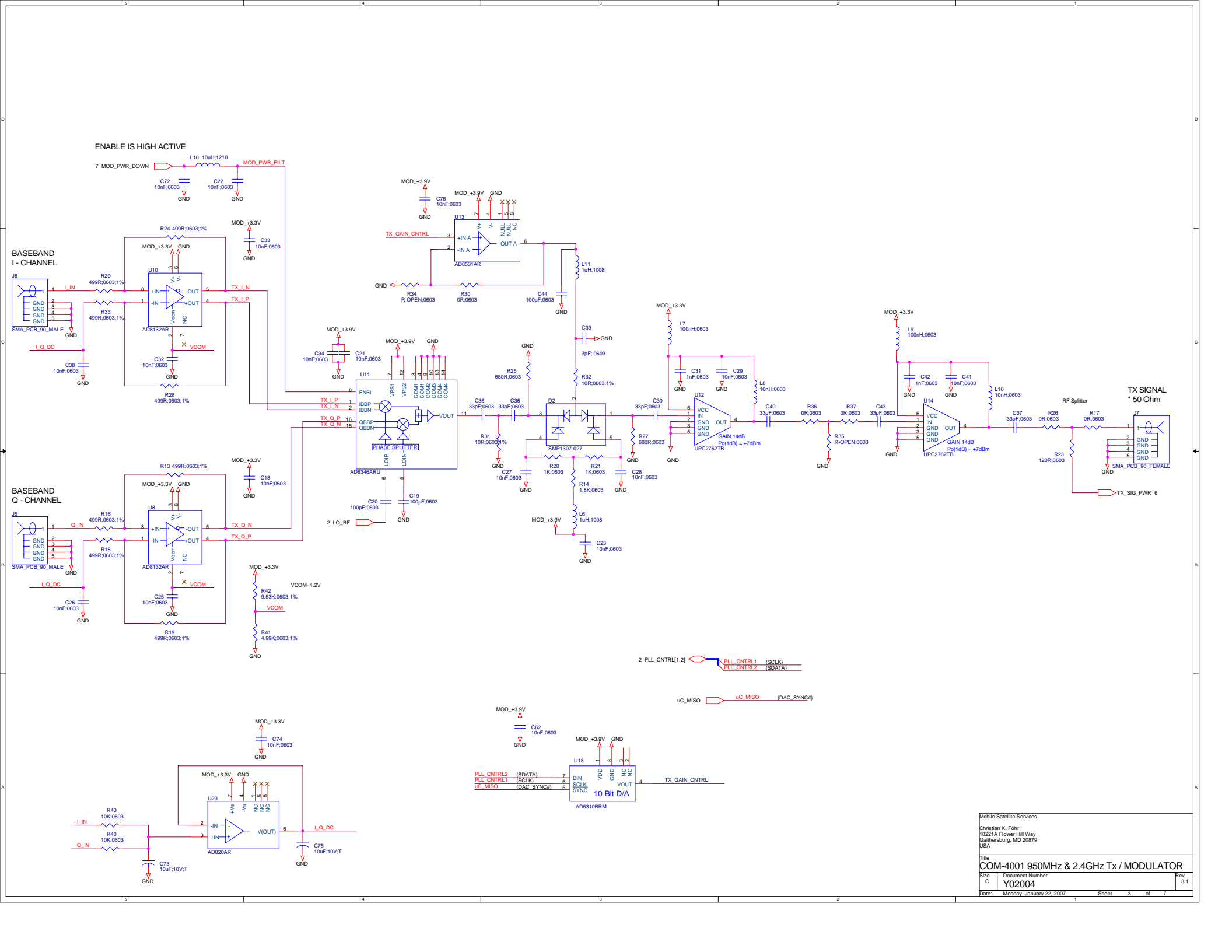


LEVEL FROM:
RF Typ.: -5dBm @ 915MHz
RF Typ.: -10dBm @
2.5GHz

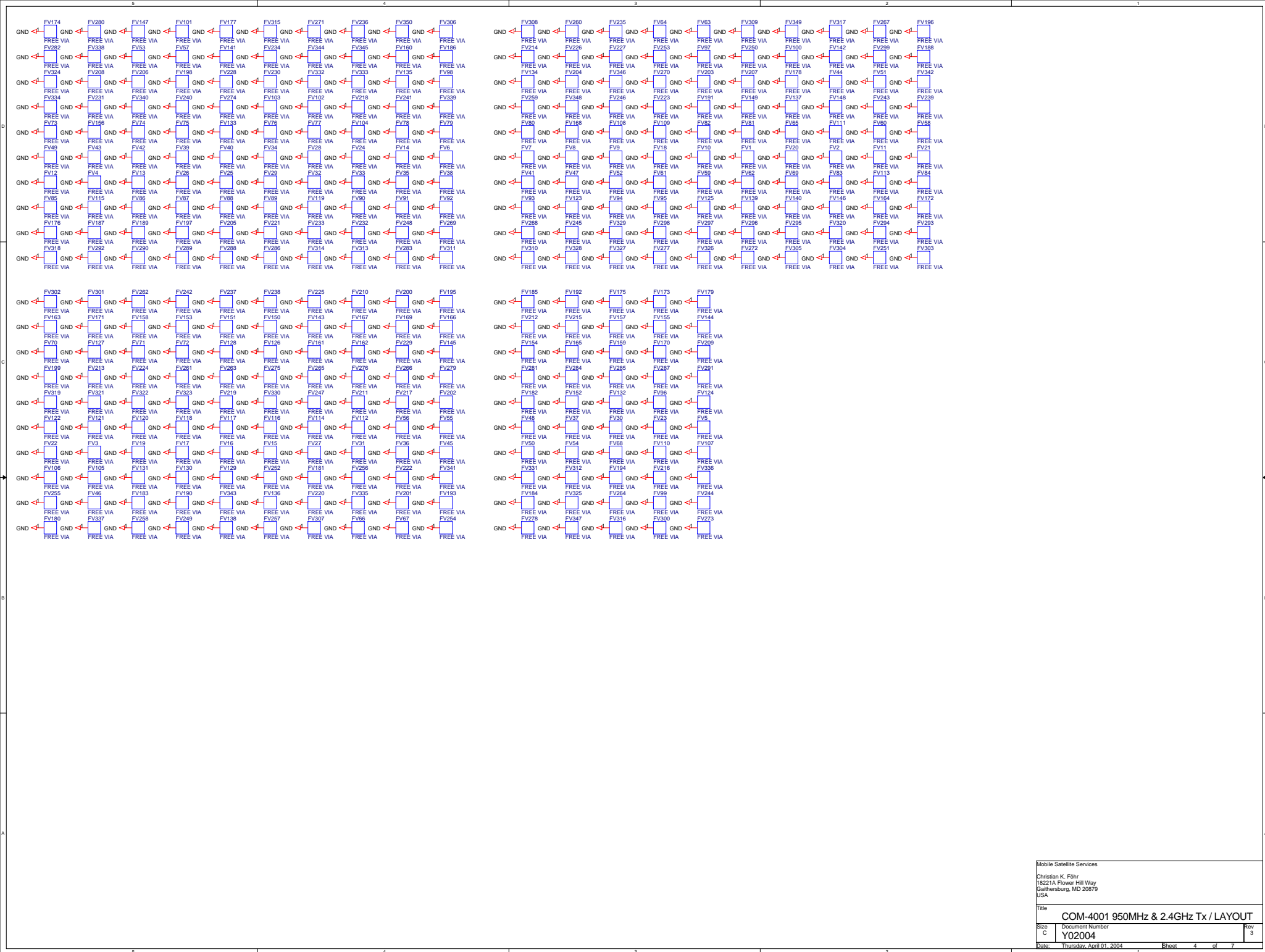
LEVEL TO RF Mod.:
Typ.: -9dBm



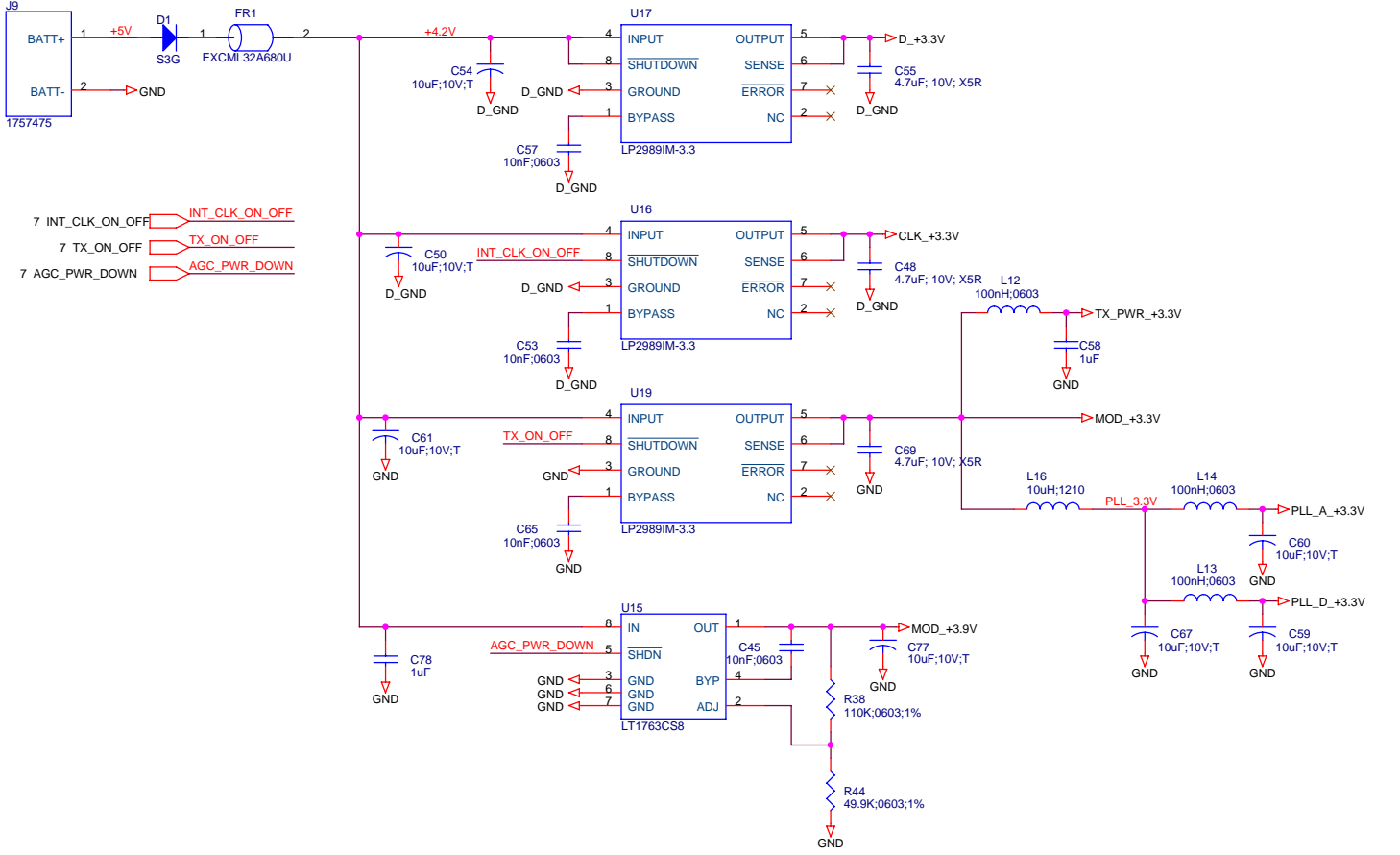
Mobile Satellite Services		
Christian K. Föhr 18221A Flower Hill Way Gaithersburg, MD 20879 USA		
Title COM-4001 950MHz & 2.4GHz Tx / FREQ_SYNTH		
Size B	Document Number Y02004	Rev 3
Date: Thursday, April 01, 2004	Sheet 2	of 7



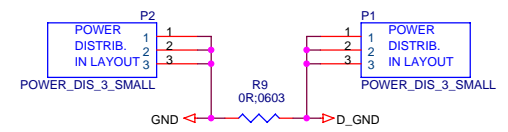
Mobile Satellite Services		
Christian K. Föhr 18221A Flower Hill Way Cathersburg, MD 20879 USA		
File	COM-4001 950MHz & 2.4GHz Tx / MODULATOR	
Size	Document Number	Rev
C	Y02004	3.1
Date	Monday, January 22, 2007	Sheet 3 of 7



+5V Supply



- 7 INT_CLK_ON_OFF → INT_CLK_ON_OFF
- 7 TX_ON_OFF → TX_ON_OFF
- 7 AGC_PWR_DOWN → AGC_PWR_DOWN

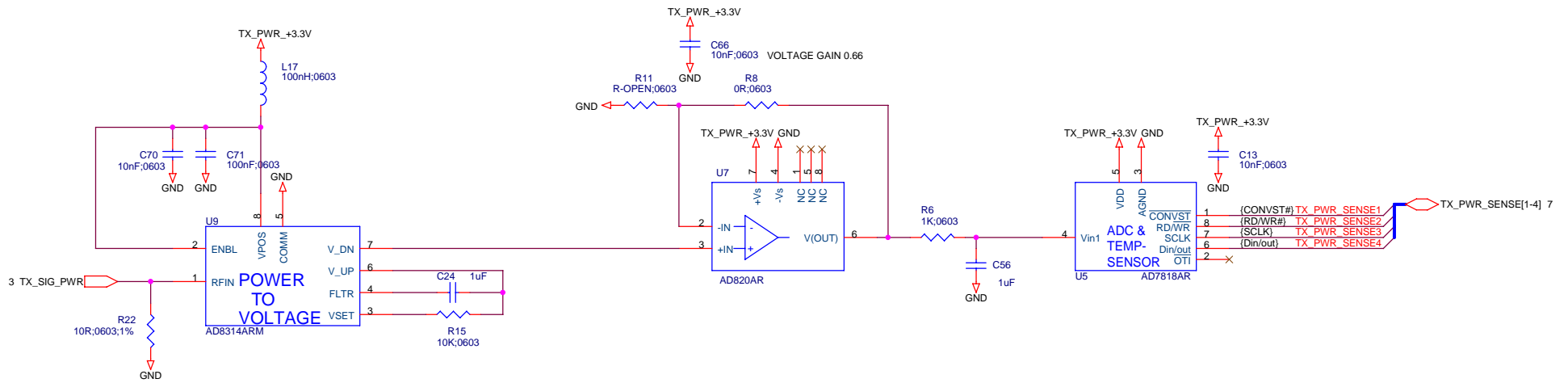


Mobile Satellite Services
 Christian K. Föhr
 18221A Flower Hill Way
 Gaithersburg, MD 20879
 USA

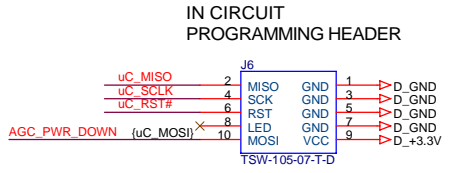
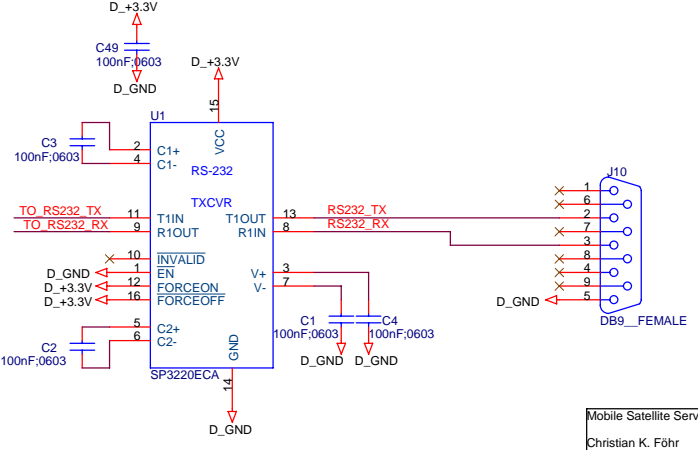
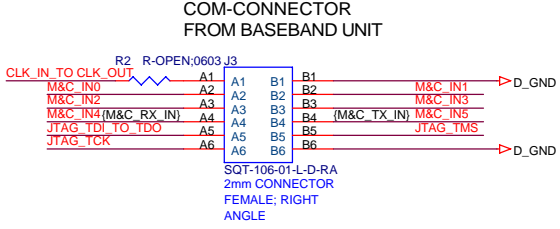
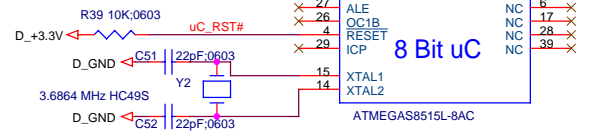
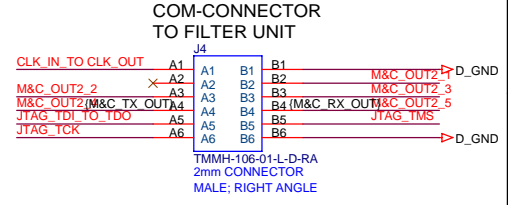
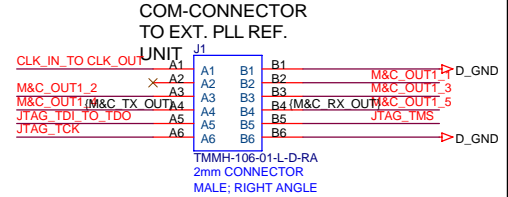
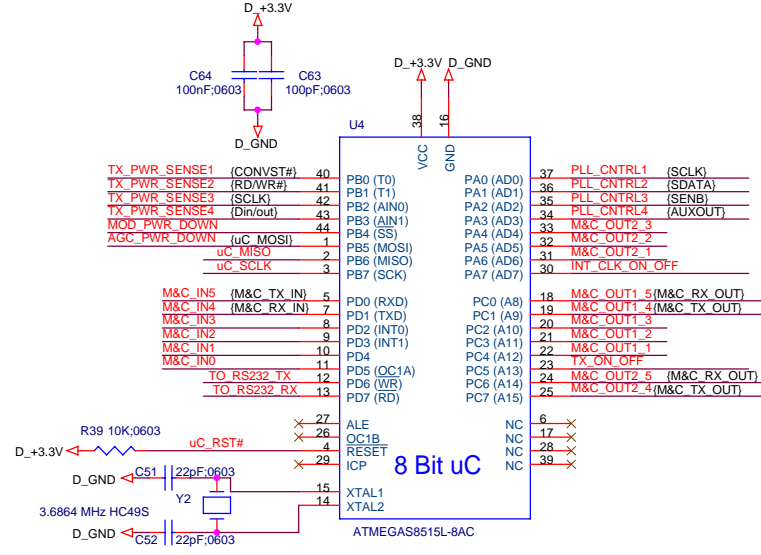
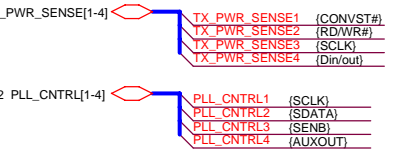
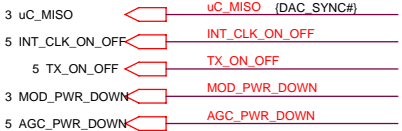
Title
COM-4001 950MHz & 2.4GHz Tx / POWER

Size B Document Number
Y02004

Date: Thursday, April 01, 2004 Sheet 5 of 7 Rev 3



Mobile Satellite Services		
Christian K. Föhr 18221A Flower Hill Way Gaithersburg, MD 20879 USA		
Title		
COM-4001 950MHz & 2.4GHz Tx / TX_PWR		
Size	Document Number	Rev
B	Y02004	3.1
Date:	Monday, January 22, 2007	Sheet 6 of 7



Mobile Satellite Services
 Christian K. Fähr
 18221A Flower Hill Way
 Gaithersburg, MD 20879
 USA

Title
COM-4001 950MHz & 2.4GHz Tx / uCONTROLLER
 Size B Document Number Y02004 Rev 3
 Date: Thursday, April 01, 2004 Sheet 7 of 7