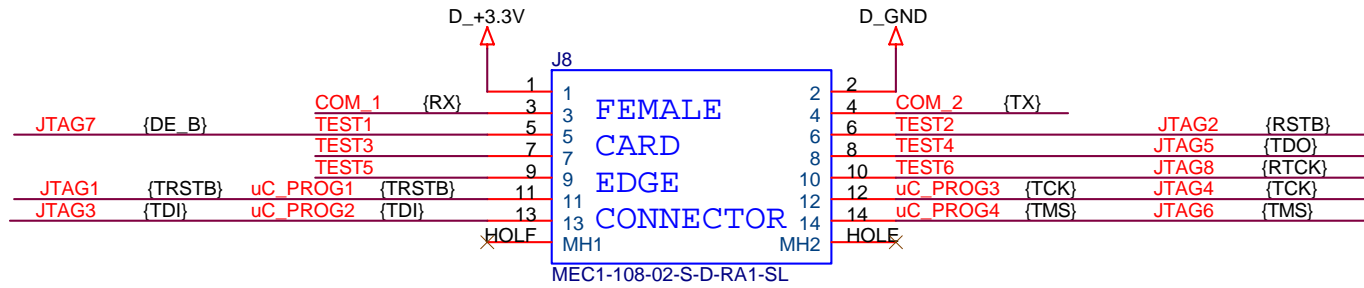
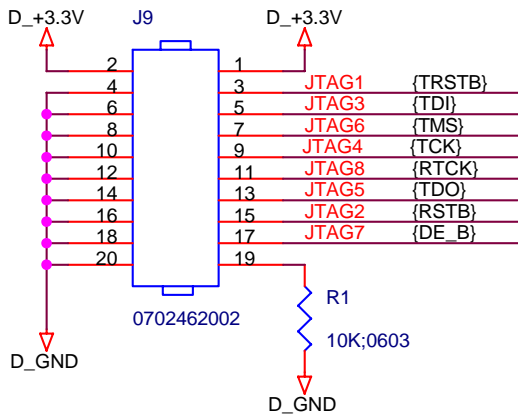


MAIN



ARM JTAG

Note:
D_+3.3V is actually +2.7V when connected to a ARM / iMX31 board



ATMEL PROGRAMMING HEADER

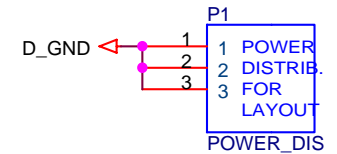
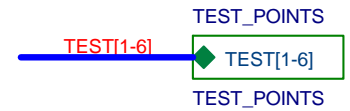
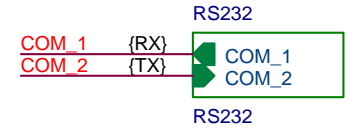
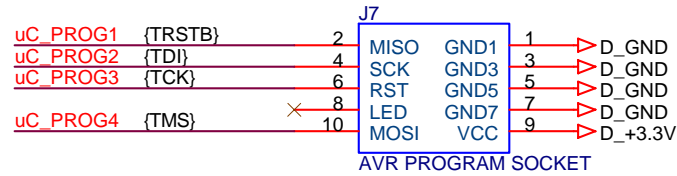


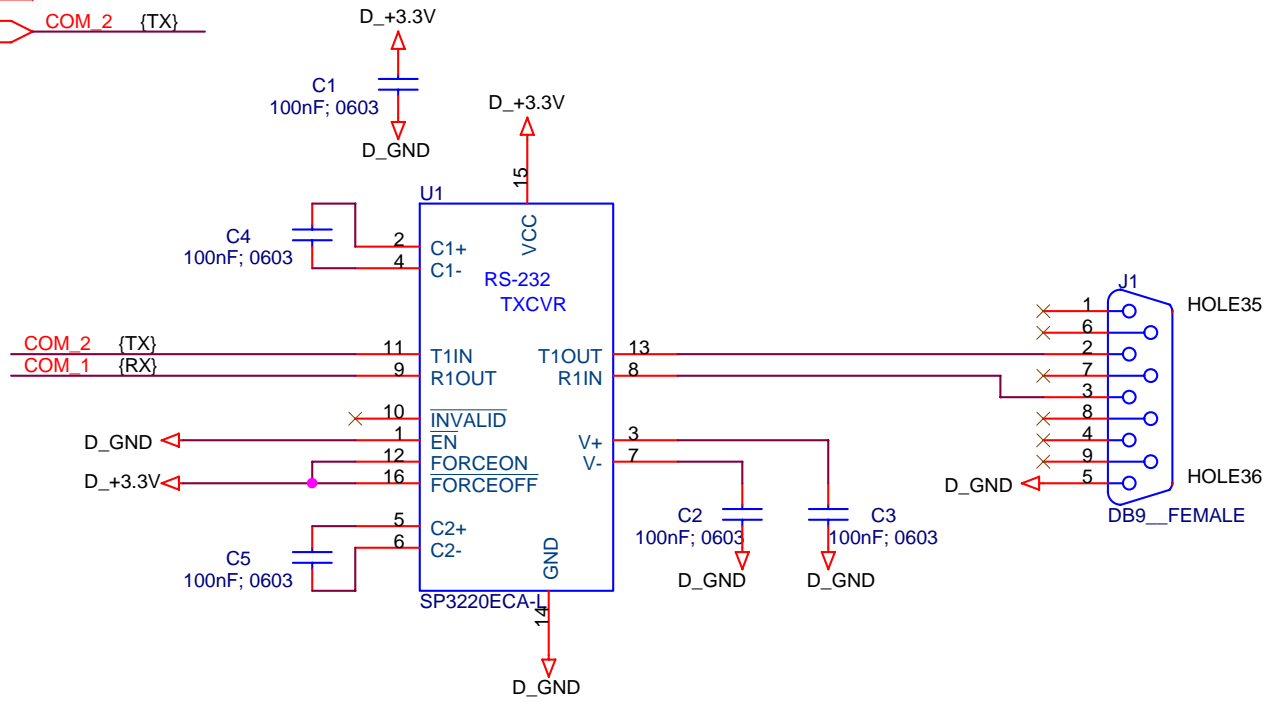
TABLE OF CONTENTS

MAIN	1
RS 232	2
TEST POINTS	3

Bengt-Arne Bengtsson / AK		
Mobile Satellite Services 18221A Flower Hill Way Gaithersburg, MD 20879		
Title Card Edge Connector Adapter Board / MAIN		
Size A	Document Number Y03007	Rev 2
Date: Monday, September 24, 2007	Sheet 1	of 3

RS 232

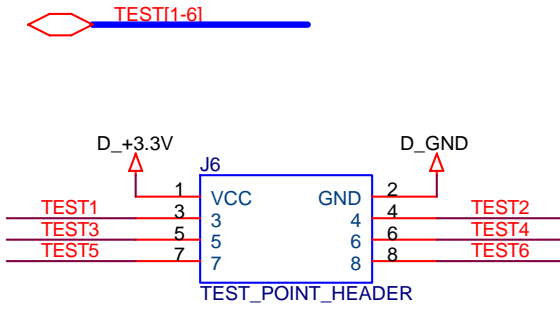
- 1 COM_1 ← COM_1 {RX}
- 1 COM_2 ← COM_2 {TX}



Bengt-Arne Bengtsson		
Mobile Satellite Services 18221A Flower Hill Way Gaithersburg, MD 20879		
Title Card Edge Connector Adapter Board / RS 232		
Size A	Document Number Y03007	Rev 2
Date: Monday, September 24, 2007	Sheet 2	of 3

TEST POINTS

1 TEST[1-6]



Bengt-Arne Bengtsson		
Mobile Satellite Services 18221A Flower Hill Way Gaithersburg, MD 20879		
Title		
Card Edge Connector Adapter Board / TEST POINTS		
Size	Document Number	Rev
A	Y03007	2
Date:	Monday, September 24, 2007	Sheet 3 of 3